

## HT122 Bench-Top Heat Treatment System

# Indirect HTST/UHT processing

## The most compact HTST/UHT system



Our Bench-Top is the most compact system available on the market in this range. Its mobile frame and size allows trouble-free installation. Thanks to a dead volume of less than 1L, the bench top allows you to process batches with a volume starting at only 2L.

### Unique Features

- Very user friendly
- Low in Maintenance costs
- Full Sanitary & Aseptic design
- Easy accessible for maintenance
- Full CIP / SIP
- High Level of automation
- Highest safety level

### Applications

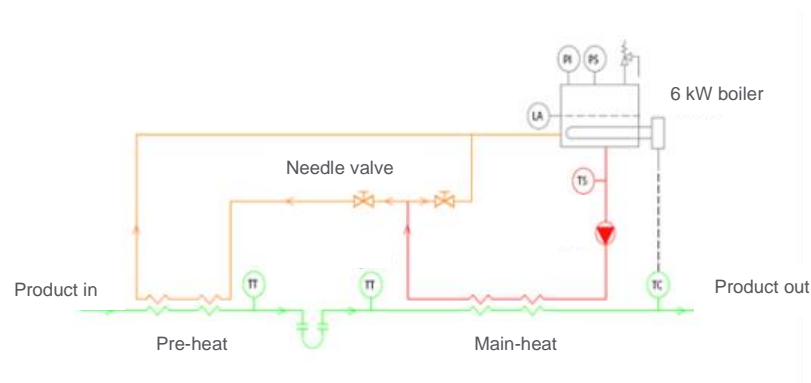
- Baby food
- Coffee & tea
- Fruit and vegetable juices
- Health and nutritional product
- Dairy products
- Pharmaceuticals

### Working Principle

The HTST/UHT Bench-Top system is standard supplied with a 4 liter feed hopper, a tube in tube heat exchanger and a back pressure valve. The on board pressurised hot water system, heated by a 6 kW electrical element, heats up the product in the heat exchanger. The main heat temperature is automatically controlled by the outlet temperature sensor at the end of the main heat section. The pre-heat can be adjusted by a needle valve.

### Standard Accessories

- Static mixers
- Different holding sections
- Rolling cart
- Flow meter
- Plate heat exchanger
- Two stage Cooling





Sterilizer + Homogenizer + Filler

# 10 Liter/hour

Pilot Plant

## Specifications

Max. particle size in tubular heat exchanger	1x1x3mm
Max. particle size in plate heat exchanger	<1mm
<b>Process</b>	
Nominal flow rate (150°C max on product side)	10L/h
Process flow rate	8 – 40L/h
CIP flow rate	Up to 160L/h
System Pressure	10 bar(g) [145psi]
Inline homogenization	upstream and downstream (optional)
Inline de-aeration	upstream
Holding times	1sec -5min
Heat exchangers	Tube in tube or plate heat exchanger
Minimum dead volume	0,9L
Dimensions L * W * H	103x86x92cm [40,5x 34x 36.2"]
Frame material	SS 304
Material on product side	SS 316
Product vessel	4L
Electrical hot water boiler	6kW
Max. Temperature boiler (medium side)	160°C [320 °F]
<b>Utilities</b>	
Electrical	370-400Vac /3ph+N+E /50Hz/ 16A or 200-240Vac /3ph+E /60Hz/ 32A
Water	Min. 2 bar, 10L/min 0 – 20°C
Drains	needed

## Why OMVE

- ✓ Since 1993, we have **specialized** in supplying manufacturing R&D and pilot-plant equipment.
- ✓ OMVE is a **preferred supplier** to leading multinationals worldwide.
- ✓ OMVE systems are designed and manufactured according to the **highest industry standards**.
- ✓ OMVE systems come with a **two-year** warranty.
- ✓ OMVE systems carry **CE certification**.
- ✓ OMVE offers the **most comprehensive service** available on the market.